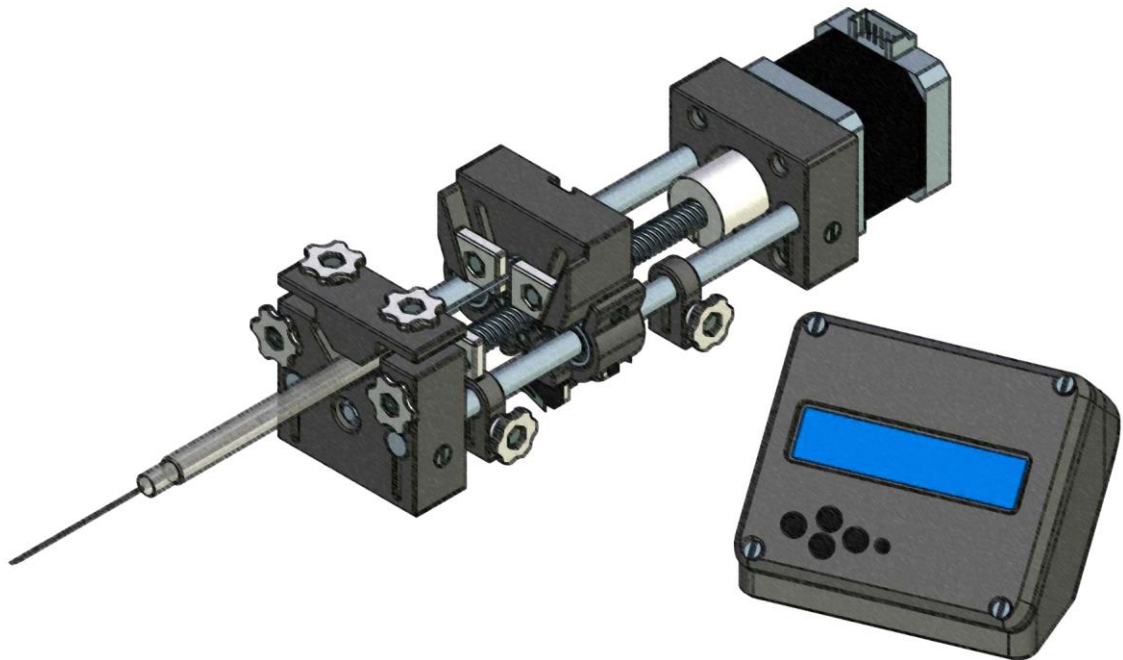


Open-Source Syringe Pump

(developed by Andrey Samokhin in 2018)



Operating Instructions

(Version 1.0a)

STL-files and "firmware" are available at http://www.mass-spec.ru/projects/diy/syringe_pump/eng/

Project files are distributed under CC BY-SA 4.0 license



Navigation

Press ▲ or ▼ button to select a menu item.

Press ► button to enter submenu or to perform/confirm action.

Press ◀ button to go back or to cancel action.

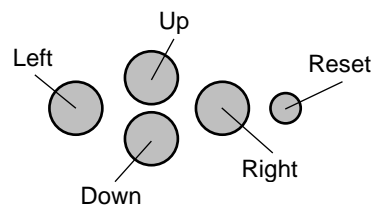


Fig. 1. Control buttons

Changing value

Press ▼ button to enter setting mode.

Press (or hold) ► or ◀ button to select a digit.

Press (or hold) ▲ or ▼ button to modify selected digit.

To confirm change press ► button several times until you exit setting mode.

To cancel change press ◀ button several times until you exit setting mode.

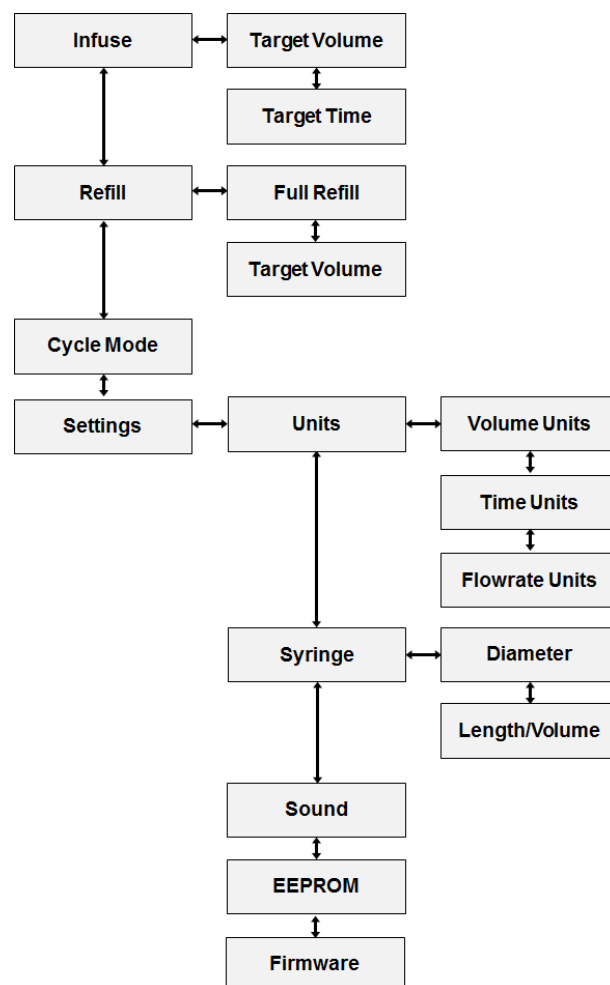


Fig. 2. Menu structure